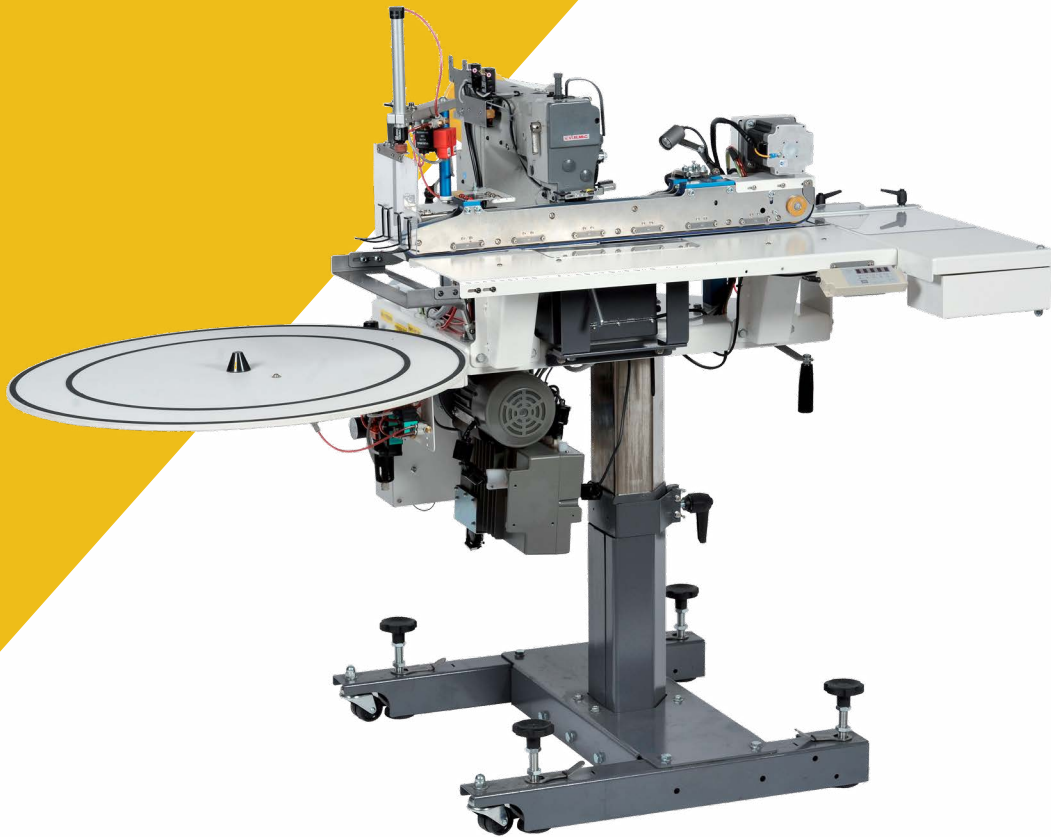


V701

**2 NEEDLE LOCKSTITCH
AUTOMATIC BACK POCKET
HEMMING UNIT**



view more



VI.BE.MAC.

2 NEEDLE LOCKSTITCH AUTOMATIC BACK POCKET HEMMING UNIT V701



EFFICIENCY



QUALITY



EASY HANDLING

The automatic pocket hemming unit V701, 2 needle lockstitch is a flexible unit with a high level of efficiency and quality output. One unit can supply more sewing lines, following the concept of modular production and space maximization.

The unit can perform an average production of 1500 up to 1800 pockets per hour. The innovative transport system allows the units to perform on many kind of fabric thickness from workwear to denim and stretch materials.

▷ INNOVATIVE PNEUMATIC SYSTEM (PATENTED)

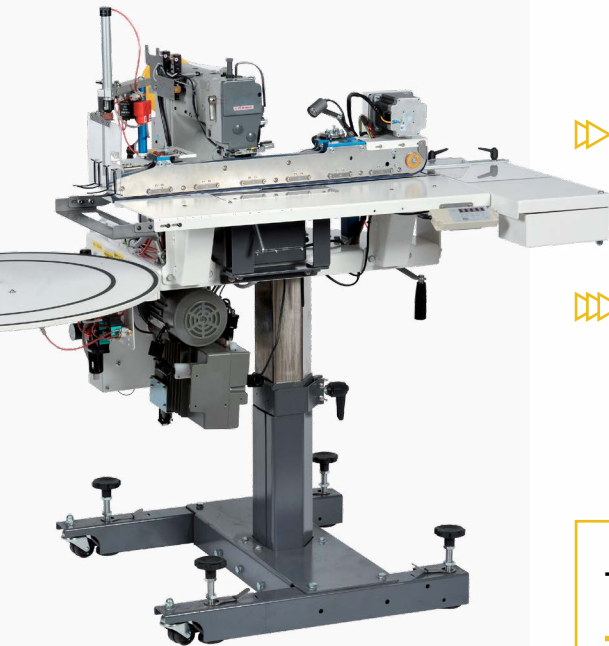
High productivity with no more wave effect or hem arching problems on denim fabric

▷▷ ADJUSTABLE BELT AND FOLDER

Both the devices can be adjusted according to fabric thickness for cost saving and easy setup on different styles

▷▷▷ PROGRAMMABLE CUT

The automatic cut at beginning and at the end is programmable with a specific control panel



TECHNICAL SPECIFICATIONS

Sewing Head: Vi.Be.Mac. 2 needle
lockstitch

Max Sewing Machine Speed: 2400 rpm

Max Sewing Head Speed: 3000 rpm

Stitch Length: 2 - 4.5 mm

Control Box: XCG MFY 2005

Sewing Machine Motor:

Mitsubishi XCG 554 20Y - 550 W

Power Supply Voltage: 220 V 50/60 Hz

Air Consumption: 3 L/min

NEEDLE GAUGES

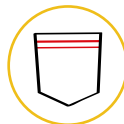
- ✓ Standard needle gauge: 1/4" (6.4 mm)
- ✓ Optional needle gauges: 1/8" (3.2 mm) - 5/32" (4 mm) - 3/16" (4.8 mm) - 7/32" (5.6 mm) - 9/32" (7.2 mm) - 5/16" (8 mm) - 3/8" (9.5 mm) - 1/2" (12.7 mm)

FEATURES

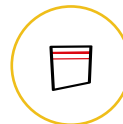
- › Air compressed economizer working ONLY when chain cutter is activated
- › Stacker
- › Thread breakage sensor
- › Automatic thread trimmer
- › One leg adjustable stand
- › Innovative pneumatic transport system (PATENTED)
- › Control panel to adjust chains at beginning and end of the pocket
- › Easy maintenance and setup of the unit
- › The rotating storage disk can contain up to 600 pocket and while unit is working the disk full of pockets can be replaced in 5 seconds with an empty one

OPTIONAL

- Manual label insertion device
- Second storage disk





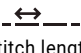
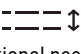


2 needle
lockstitch

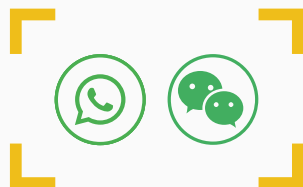


coin pocket

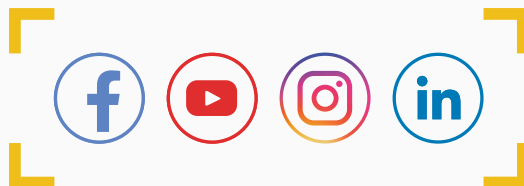


COMPARISON	V700.1	V701	V702
 max unit speed	3600 rpm	2400 rpm	3600 rpm
 max head speed	4000 rpm	3000 rpm	5000 rpm
 sewing head	Vibemac 2 CS	Vibemac 2 LS	Yamato 3 CS
 avg pockets/hour	1800/ 2000	1500/ 1800	1800/ 2000
 stitch length	0.9 - 5 mm	2 - 4.5 mm	0.9 - 4.5 mm
 optional needle gauges	3/16" 9/32" 3/8" 1/2" (3 needle)	1/8" 5/32" 3/16" 7/32" 9/32" 5/16" 3/8" 1/2"	/

GET IN TOUCH



FOLLOW OUR SOCIALS



VI.BE.MAC.

vbm 

VI.BE.MAC. S.p.A.

Società soggetta a direzione e coordinamento di Jack Europe S.à.r.l.

Via Monte Pastello, 7/i - 37057 San Giovanni Lupatoto (VR), Italy

vibemac@vbm-grp.com - sales@vbm-grp.com - customercare@vbm-grp.com

Tel. [+39 045 8778151](tel:+390458778151) / [8778152](tel:+390458778152)



www.vibemac.com

